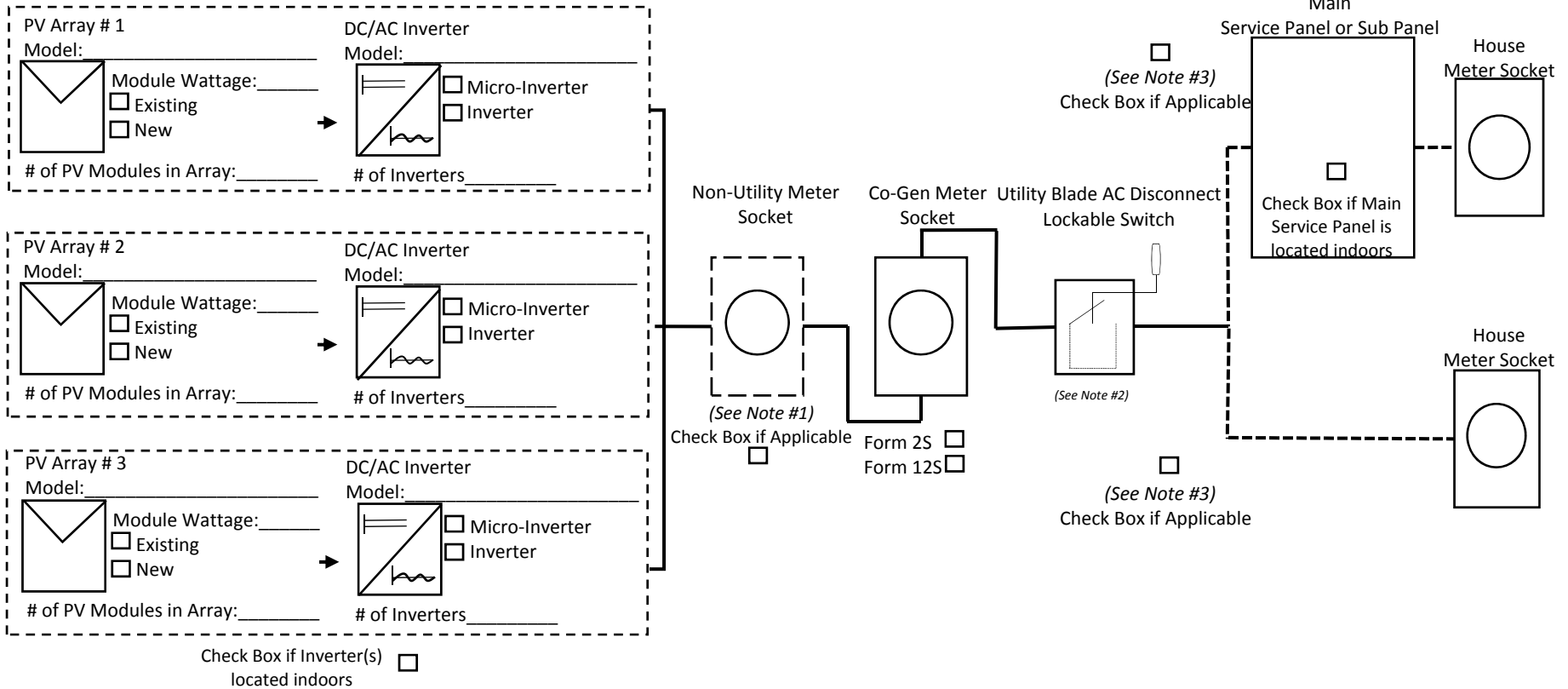


# Single Line Diagram: Net Metering

Fill out this document and upload to PowerClerk in the "Required Documentation" section.



Company Name: \_\_\_\_\_

Company Phone: (\_\_\_\_) \_\_\_\_\_

Customer Name: \_\_\_\_\_

Customer Address: \_\_\_\_\_

Customer Phone: (\_\_\_\_) \_\_\_\_\_

## Notes:

1. If required, a Non-Utility Meter Socket may be installed between the PV Modules and the Co-Gen Meter Socket.
2. The PV Disconnect shall be load break rated and shall provide a visible air gap and be lockable in the off position. Locate immediately adjacent to the service meter. It must be accessible to the power company personnel 24/7.
3. Specify the point of common coupling for the solar and existing house wiring. Check box if Main Service Panel is located indoors.